

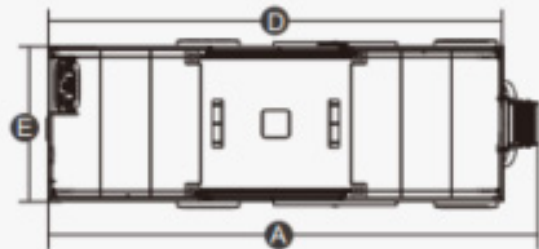
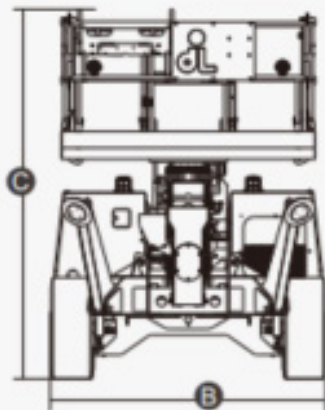
**MARKET LEADER
BUILT TOUGH**

**ACCESS
EXPRESS®**



Self-propelled Telescopic Boom Lifts(Engine Axle Types)

The Maximum Working Height Is From 15.6 Meters To 20.3 Meters, And The Maximum Load Is 18000kg. Equipped With A Special Axle For Aerial Working Platforms, And Adopting 4WD And 4WS, Stronger Off-road Capability, It Is Standard With A 6.7m×2.24m Super-large Working Platform, Which Can Move Back And Forth 2.19m And Turn Around 180°. It Has A Wide Operating Range And Can Meet The Requirements Of Multiple People Working At The Same Time. It Is Widely Applicable To The Construction Of Culverts, Viaducts, Steel Structure Plants, Curtain Walls, Subway Stations And Other Working Conditions.



Size		
Max. Working Height	20.30m	15.60m
Max. Platform Height	18.30m	13.60m
Max. Front Outreach(Outriggers Extension)	11.70m	8.46m
Max. Rear Outreach(Outriggers Extension)	4.09m	4.66m
Max. Platform Slide	2.19m	1.51m
Overall Length (A)	7.68m	7.348m
Overall Width(Stowed) (B)	2.46m	2.50m
Overall Width(Transport)	2.30m	2.31m
Overall Height(Rails Up) (C)	3.80m	3.55m
Overall Height(Rails Down)	2.89m	2.623m
Overall Height(Transport)	2.59m	2.365m
Platform Size(Length (D) *Width (E))	6.70m*2.24m	6.70m*2.24m
Ground Clearance	0.37m	0.32m
Wheelbase	4.00m	3.80m
Turning Radius(Inside/Outside)	3.24m/4.97m	2.45m/5.5m
Tyres	385-65/22.5	355-55/D625
Performance		
S.W.L	1350kg	1800kg
Max. Goods Loading	900kg	1350kg
Max. Occupants	4	
Platform Swing Angle	+/-90°	
Gradeability	40%	
Travel Speed(Stowed)	6.00km/h	
Travel Speed(Raised)	0.90km/h	
Max.Working Slope	3°/5°	
Chassis Leveling	10°	
Weight		
Overall Weight	18000kg	13350kg
Power		
Diesel Engine	Deutz TD2.9 L4 55.4kW/2600rpm	
Hydraulic Oil Tank	216L	