



## SPECIFICATIONS

Size	Metric	British
Max. Working Height <b>A</b>	11.00m	36ft 1in
Max. Platform Height <b>B</b>	9.00m	29ft 6in
Overall Length(Stowed) <b>C</b>	1.70m	5ft 7in
Overall Width(Stowed) <b>D</b>	0.82m	2ft 8in
Overall Height(Stowed) <b>E</b>	1.99m	6ft 6in
Outrigger Footprint(Length <b>F</b> ×Width <b>G</b> )	2.31m/2.39m	7ft 7in/7ft 10in
Platform Size(Length <b>H</b> ×Width <b>I</b> )	1.40m×0.65m	4ft 7in×2ft 2in
Ground Clearance	0.055m	2in
BackSize	0.18m	7in
FrontSize	0.18m	7in

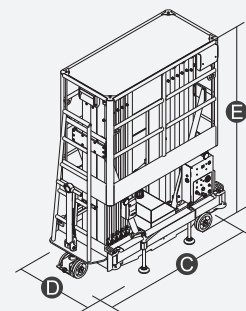
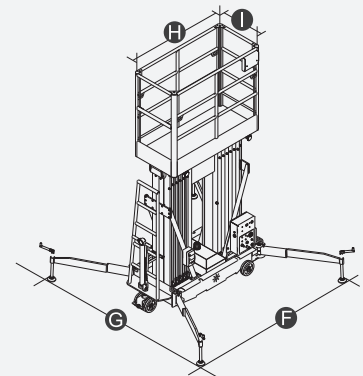
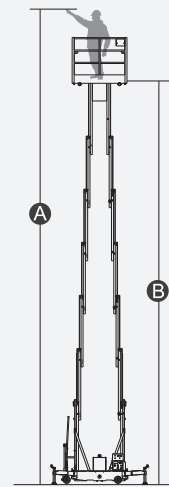
Performance		
S.W.L	300kg	661lb
Max. Occupants	2	2
Up/Down Speed	62/40sec	62/40sec

Weight		
Weight - AC	780kg	1719lb
Weight - DC	840kg	1851lb

Power		
Battery	2×12V/85Ah	2×12V/85Ah
Charger	12V/15A	12V/15A
Lifting Motor - AC	220VAC/1.5kW	220VAC/1.5kW
Lifting Motor - DC	12VDC/2.5kW	12VDC/2.5kW



**ELECTRIC**





## FEATURES

### Standard Items

- Self-Locking Gates
- Emergency Descent System
- Tubing Explosion-Proof System
- Motion Alarm
- Charging Indicator(DC type)
- Charging Protection System(DC type)
- Flashing Beacon
- Lanyard Attachment Point
- Tie-Down And Lifting Points
- Emergency Stop Button

