



## SPECIFICATIONS

Size	Metric	British
Max. Working Height <b>A</b>	12.50m	41ft
Max. Platform Height <b>B</b>	10.50m	34ft 5in
Overall Length(Stowed) <b>C</b>	1.70m	5ft 7in
Overall Width(Stowed) <b>D</b>	0.82m	2ft 8in
Overall Height(Stowed) <b>E</b>	1.99m	6ft 6in
Outrigger Footprint(Length <b>F</b> ×Width <b>G</b> )	2.31m/2.39m	7ft 7in/7ft 10in
Platform Size(Length <b>H</b> ×Width <b>I</b> )	1.40m×0.65m	4ft 7in×2ft 2in
Ground Clearance	0.055m	2in
BackSize	0.18m	7in
FrontSize	0.18m	7in

### Performance

S.W.L	250kg	551lb
Max. Occupants	2	2
Up/Down Speed	62/42sec	62/42sec

### Weight

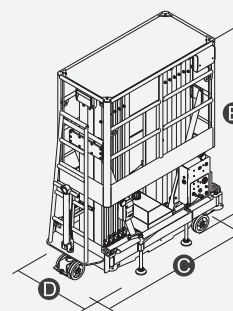
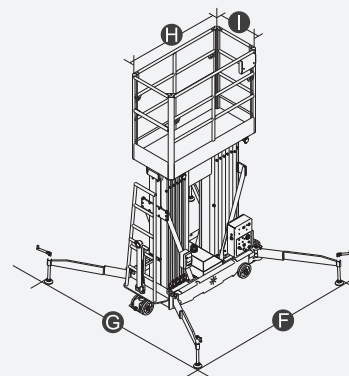
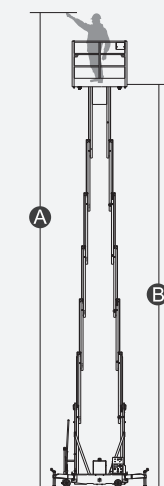
Weight - AC	820kg	1807lb
Weight - DC	880kg	1940lb

### Power

Battery	2×12V/85Ah	2×12V/85Ah
Charger	12V/15A	12V/15A
Lifting Motor - AC	220VAC/1.5kW	220VAC/1.5kW
Lifting Motor - DC	12VDC/2.5kW	12VDC/2.5kW



**ELECTRIC**





## FEATURES

### Standard Items

- Self-Locking Gates
- Emergency Descent System
- Tubing Explosion-Proof System
- Motion Alarm
- Charging Indicator(DC type)
- Charging Protection System(DC type)
- Flashing Beacon
- Lanyard Attachment Point
- Tie-Down And Lifting Points
- Emergency Stop Button

