

Aerial Work Platforms

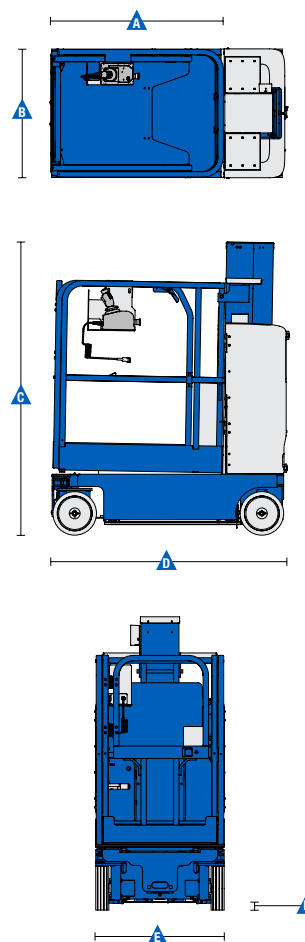
Genie® Runabout™ Contractor

Specifications

MODEL	GRC™-12	
Measurements	Metric	US
Working height*	5.66 m	18 ft
Platform height	3.66 m	12 ft
A B Platform dimensions (length x width)		
Ext Platform dimensions - retracted	99 x 75 cm	39 x 29.5 in
Ext Platform dimensions - extended	1.4 m x 75 cm	55 x 29.5 in
A Height - stowed	1.70 m	67 in
A Length - stowed	1.37 m	4 ft 6 in
A Width	80 cm	2 ft 7.5 in
A Ground clearance - center	6.3 cm	2.5 in
Productivity		
Max platform occupancy (indoor/outdoor) ¹	2/-	2/-
Lift capacity	227 kg	500 lbs
Drive speed - stowed	4.0 km/h	2.5 mph
Drive speed - raised	0.8 km/h	0.5 mph
Gradeability**	30%	30%
Turning radius - inside	zero	zero
Turning radius - outside	1.35 m	4 ft 5 in
Raise / lower speed	12 / 16 sec	12 / 16 sec
Controls	24V DC proportional	24V DC proportional
Tyres - solid non-marking	25 x 8 x 20 cm	10 x 3 x 8 in
Power		
Power source	24V (four 6V 225 Ah batteries)	
Hydraulic system capacity	8.33 L	2.2 gal
Sound & Vibration Levels		
Sound pressure level (ground workstation)	<70 dBA	
Sound pressure level (platform workstation)	<70 dBA	
Vibration	<2.5 m/s ²	<98.4 in/s ²
Weight***	950 kg	2,094 lbs

Standards Compliance

ANSI A92.6, CSA B354.2, CE Compliance, AS 1418.10



¹ Indoor use only.

* The metric equivalent of working height adds 2 m to platform height. U.S. adds 6 ft to platform height.

** Gradeability applies to driving on slopes. See operator's manual for details regarding slope rating.

*** Weight will vary depending on options and/or country standards.

Aerial Work Platforms

Genie® Runabout™ Contractor

Features

Standard Features

Measurements

- 5.66 m (18 ft) working height
- 3.66 m (12 ft) platform height
- Up to 227 kg (500 lbs) lift capacity

Productivity

- 2-person rated
- Smart Link™ control system (joystick, 2 proportional lift speeds & 2 selectable proportional drive speeds, user-friendly diagnostics)
- Auxiliary platform lowering
- Low 39 cm (15.5 in) platform entry height
- Work station tray
- Steel tube-in-tube mast system
- Compact base 80 cm x 1.37 m (31.5 x 54 in)
- Ground clearance 6.4 cm (2.5 in) (stowed)
- Fully proportional lift and drive controls
- Battery charge indicator
- On-board diagnostic system
- Descent and tilt alarm
- Zero inside turning radius
- Dual wheel brakes
- Hydraulic brake release
- Pothole protection
- Hinged rear ABS covers for easy access to all major electrical and hydraulic components
- Tie down attachment points
- Overhead crane attachment point
- Large forklift pockets access
- Certified load sensor
- Dual flashing beacons
- Motion alarm
- Automotive-style horn
- Drive cutout while charging

Standard Features

Platform

- 99 cm x 75 cm (39 x 29.5 in) steel platform and extension deck with swing gate

Power

- 24V (four 6V 225 Ah batteries) with automatic 25 amp battery charger

Tyres

- Non-marking solid

Options & Accessories

Productivity Options

- 240 V power to platform
- Biodegradable hydraulic oil

Power Options

- AGM maintenance-free batteries

