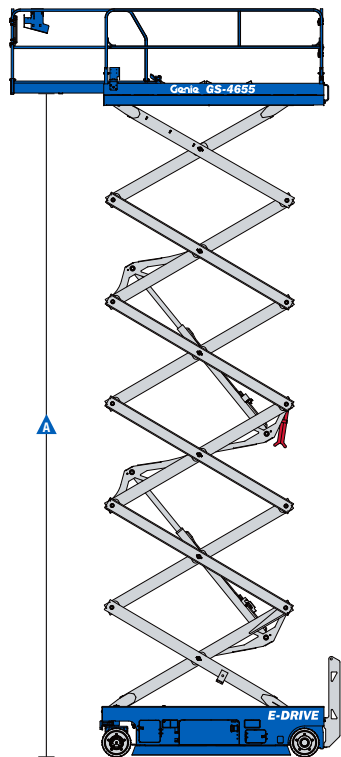
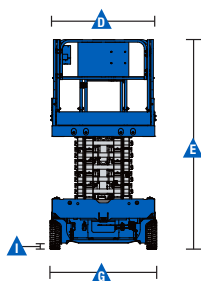
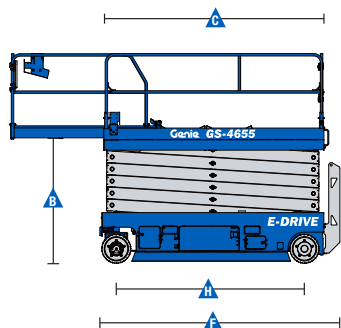


Self-Propelled Scissor Lifts

GS™ -4655



Specifications

Models	GS-4655	
Measurements	Metric	US
Working height maximum - indoor ¹	15.95 m	51 ft 9 in
- outdoor ¹	8.55 m	27 ft 6 in
A Platform height maximum, indoor	13.95 m	45 ft 9 in
Platform height maximum, outdoor	6.55 m	21 ft 6 in
B Platform height - stowed	1.64 m	5 ft 5 in
C Platform length - outside	2.84 m	9 ft 4 in
- extended	4.06 m	13 ft 4 in
D Platform width - outside	1.35 m	4 ft 5 in
E Height - stowed: folding rails	2.77 m	9 ft 1 in
- rails lowered	1.98 m	6 ft 6 in
F Length - stowed	3.11 m	10 ft 2 in
G Width	1.41 m	55.3 in
H Wheelbase	2.46 m	8 ft 1 in
I Ground clearance - center	15 cm	5.9 in
- with pothole guards deployed	2 cm	0.75 in
Roll-out platform extension deck	1.22 m	4 ft
Guardrail height	1.1 m	3 ft 7.3 in
Toeboard height	0.15 m	6 in

Productivity

Max platform occupancy (indoor/outdoor)	3/2	
Lift capacity	350 kg	770 lbs
Lift capacity - extension deck	136 kg	300 lbs
Drive height	Full height	
Drive speed - stowed	3.2 km/h	2.0 mph
Drive speed - raised	0.8 km/h	0.5 mph
Gradeability - stowed ²	25%	
Turning radius - inside	31 cm	12 in
Turning radius - outside	3.05 m	10 ft
Raise/lower speed	92 / 58 sec	
Tilt sensor activation - front to back	3°	
- side to side	1.5°	
Controls	proportional	
Drive	dual front wheel, AC electric	
Brakes	dual front wheel, electric	
Tires solid non-marking	38 x 13 cm	15 x 5 in

Power

Power source	24 V DC, 300 Ah (four 12 V, 150 Ah batteries in parallel series)	
Hydraulic system capacity	30.1 L	7.9 gal

Weight³ / Floor Loading⁴

Weight - ANSI/CSA	3,711 kg	8,181 lbs
Tire load, maximum:	1,670 kg	3,682 lbs
Tire contact pressure:	1,451 kPa	210 psi
Occupied floor pressure:	9.81 kPa	205 psf

Standards Compliance

AS 1418.10

¹ The metric equivalent of working height adds 2 m to platform height. U.S. adds 6 ft to platform height.

² Gradeability applies to driving on slopes. Gradeability may vary depending on the weight of options installed on machine. See operator's manual for details regarding slope ratings.

³ Weight will vary depending on options and/or country standards.

⁴ Note: Floor loading information is approximate and does not incorporate different option configurations. It should be used only with adequate safety factors.

Self-Propelled Scissor Lifts

GS™ -4655

Features

Standard Features

Measurements

GS-4655

- 15.95 m (51 ft 9 in) working height
- 350 kg (770 lb) lift capacity

Productivity

- Drive at full height
- Folding rails with full height swing gate
- SmartLink™ - dual zone control
- Proportional lift and drive
- Platform load sense system
- Platform control guard
- Platform control with battery charge indicator
- Universal 27A smart charger¹
- Lanyard attachment points
- Manual platform lowering valve
- Emergency stop at both platform and ground controls
- Dual front wheel electric brakes
- Manual and electric brake release
- Swing-out component trays
- Pothole guards
- Tilt level sensor with audible alarm
- Dual flashing LED beacons
- Descent alarm
- Automotive-style horn
- Hour meter
- Motion alarm
- Side forklift pockets
- Lift Connect™ Telematics
- Tech Pro™ Link compatible

Power

- 24 V DC, 300 Ah (four 12 V 150 Ah batteries in parallel series)

Platform

- Diamond plate platform floor
- 1.22 m (4 ft) extension deck

Drive

- Dual front wheel AC electric drive

Tires

- Solid non-marking

Options & Accessories

Productivity Options

- Air line to platform

Power Options

- 240 V power to platform

¹ Drive cutout while charging

