

Self-Propelled Telescopic Booms

S™-65 & S™-65 TraX

Specifications

Models	S-65 / S-65 TraX	
Measurements	Metric	US
Working height maximum* (on tyres)	21.81 m	71 ft
Working height maximum* (with Trax)	21.81 m	71 ft
Platform height maximum (on tyres)	19.81 m	65 ft
Platform height maximum (with Trax)	19.80 m	65 ft
Horizontal reach maximum	17.10 m	56 ft 2 in
Below ground reach	2.72 m	8 ft 11 in
A Platform length	0.91 m	3 ft
B Platform width	2.44 m	8 ft
C Height - stowed with standard tyres	2.72 m	8 ft 11 in
- stowed with Trax	2.77 m	9 ft 1 in
D Length - stowed	9.42 m	30 ft 11 in
- transport (jib tucked under)	7.60 m	25 ft
E Width - with standard tyres	2.49 m	8 ft 2 in
- with Trax	2.59 m	8 ft 6 in
F Wheelbase	2.51 m	8 ft 3 in
G Ground clearance - centre	0.37 m	1 ft 2.5 in
- centre with Trax	0.43 m	1 ft 5 in

Productivity

Lift capacity	227 kg	500 lbs
Platform rotation	160°	
Vertical jib rotation	135° (+78° /-57°)	
Turntable rotation	360° continuous	
Turntable tailswing (on tyres)	1.22 m	4 ft
Turntable tailswing (with Trax)	1.14 m	3 ft 9 in
Drive speed - 4WD stowed (on tyres)	4.8 km/h	3.0 mph
Drive speed - 4WD stowed (with Trax)	3.7 km/h	2.3 mph
Drive speed - raised or extended	1.1 km/h	0.68 mph
Gradeability** stowed - 4WD	45%	
Turning radius - inside	2.36 m	7 ft 9 in
- inside with Trax	3.66 m	12 ft
Turning radius - outside	5.54 m	18 ft 2 in
- outside with Trax	6.81 m	22 ft 4 in
Controls	12 V DC proportional	
Tyres - RT foam filled	355/55D 625	
Trax - track system - 4 point	Loegering QTS-R42	
Occupied Floor Pressure (with Trax)	1,210 kg/sqm	11.87 kPa

Power

Power source - with standard tyres	Deutz D 2011 L03i 3 cylinder diesel 36 kW (48 hp)	
- with Trax	Deutz TD2011 L04i 4 cylinder turbo diesel 55 kW (74 hp)	
Auxiliary power unit	12 V DC	
Hydraulic tank capacity	170 L	45 gal
Fuel tank capacity	132 L	35 gal

Sound & Vibration Levels

Sound pressure level (ground workstation)	83 dBA	
Sound pressure level (platform workstation)	79 dBA	
Vibration	<2.5 m/s ²	<8 ft 2 in/s ²

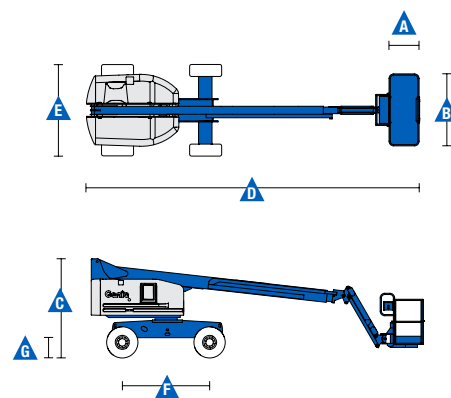
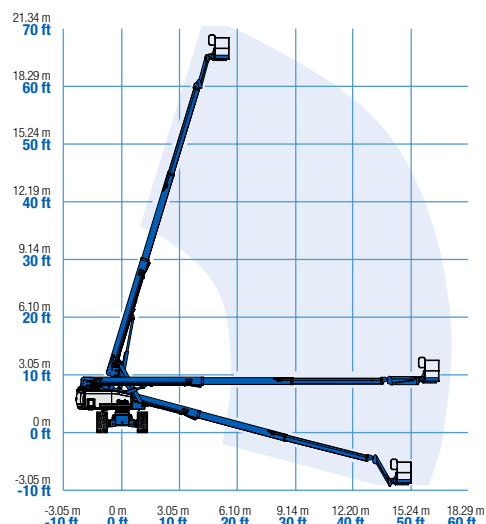
Weight***

4WD (standard tyres)	10,174 kg	22,429 lbs
4 WD (with Trax)	12,519 kg	27,600 lbs

Standards Compliance

AS 1418.10

Range of Motion S-65 / S-65 TraX



* The metric equivalent of working height adds 2 m to platform height. U.S. adds 6 ft to platform height.

** Gradeability applies to driving on slopes, see operator's manual for details regarding slope ratings.

*** Weight will vary depending on options and/or country standards.

Self-Propelled Telescopic Booms

S™-65 & S™-65 TraX

Features

Standard Features

Measurements

S-65, S-65 TraX

- 21.81 m (71 ft) working height
- 17.10 m (56 ft 2 in) horizontal reach
- 227 kg (500 lb) lift capacity

Productivity

- Self-levelling platform
- Hydraulic platform rotation
- Proportional joystick controls
- Thumb rocker steering
- Drive enable
- AC power cord to platform
- Tilt alarm
- Descent & travel alarms
- Flashing beacon
- Horn
- Hour meter
- 360° continuous turntable rotation
- Locking turntable covers
- Positive traction drive
- Two speed wheel motors
- Certified load sensor
- Telematics-Ready Connector
- Hydraulic oil cooler
- Lift Guard™ Contact Alarm
- Lockable platform & ground control box covers

Power

- 12 V DC auxiliary power
- Engine gauge package: oil pressure, temp & amp
- Anti-restart engine protection
- Auto engine fault shutdown
- Intake air heater

Platform

- Steel 2.44 m (8 ft) tri-entry

Jib

- 1.52 m (5 ft) articulating jib boom

Engine

- Deutz diesel 36 kW (48 hp) (S-65)
- Deutz diesel 55 kW (74 hp) (S-65 TraX)

Drive

- 4 x 4

Axle

- Active oscillation (4WD)

Tyres

- Rough terrain non-marking foam-filled (S-65)
- Loegering track system (S-65 TraX)

Options & Accessories

Productivity Options

- Half-mesh platform inserts with swing gate
- Air line to platform
- Work lights package
- Biodegradable hydraulic oil
- Operation Protective structure

Power Options

- 7 kVA hydraulic generator (240 V 50 Hz)
- Diesel catalytic purifier muffler
- 240 V power to platform