

460SJ HC3

TELESCOPIC HI-CAPACITY BOOM LIFTS



Performance

Platform Height	14.05 m
Working Height	16.05 m
Horizontal Outreach	12.23 m
Swing 360 Degrees	Continuous
Platform Capacity	
Restricted	340/454 kg
Unrestricted	300 kg
Platform Rotator	180 Degrees Hydraulic
Jib	
Range of Articulation	1.83 m
	130 Degrees (+70, -60)
Weight*	9,250 kg
Max. Ground Bearing Pressure	6.96 kg/cm ²
Drive Speed	6.8 km/h
Gradeability	45%
Tilt Cut Out	5 Degrees
Turning Radius	
Outside	4.8 m
Inside	2.07 m

Standard Specifications

Power Source

Dual Fuel Engine		
Deutz D2.9L4 Tier 4 Final	49 hp	36.4 kW
Fuel Tank Capacity	83.3 L	

Hydraulic Reservoir

- Hydraulic Reservoir 136.27 L
- Auxiliary Power 12V-DC

Tyres

- Standard 12 x 16.5 Foam Filled Non-marking

Standard Features

- 180 Degree Hydraulic Platform Rotator
- Platform Console Machine Status Light Panel*
- 5 Degree Tilt Alarm/Indicator Light
- Swing Out Engine Tray
- 12V-DC Auxiliary Power
- Hourmeter
- Improved Multi-Function Controls
- Proportional Controls
- Interactive Display at Ground Controls
- Control ADE® System
- Lifting/Tie Down Lugs
- Horn
- Four-Wheel Hydrostatic Drive
- Inward Self-Closing Swing Gate
- Flashing Amber Beacon
- Operator Tool Tray
- Oscillating Axle
- Motion Alarm
- Glow Plugs (Diesel Engines)
- Load Sensing System
- SkyGuard SkyLine™

*Provides indicator lights at platform control console for system distress, low fuel, 4 degree tilt light, and foot switch status.



HC3

3 Capacity Zones - Each rated for 3 occupants + tools/materials

Accessories & Options

- 36 x 72 in. (0.91 x 1.83 m) Platform
- 1/2 in. Air Line to Platform
- Pipe Racks
- White Noise (Squawker) Motion Alarm
- SkySense™
- SkyGlazier
- Light Package¹
- Fire Extinguisher
- Battery Isolator
- Bolt on Fall Arrest
- Mesh to mid rail

Note: Some options may increase lead time, and some option combinations may not be available.

1. Includes platform work lights, head and tail lights, amber beacon.

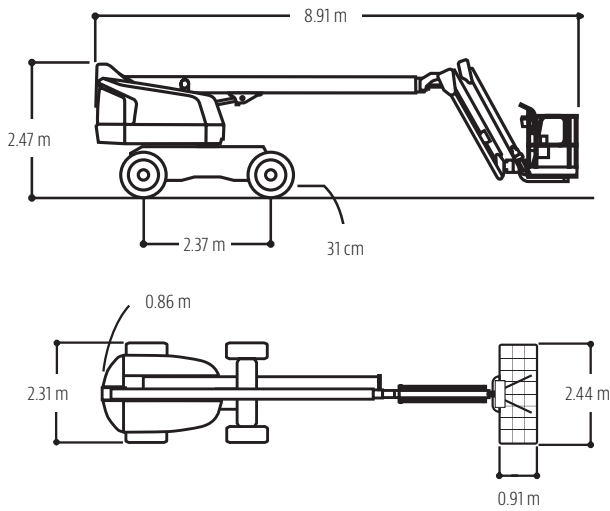
460SJ HC3

TELESCOPIC HI-CAPACITY BOOM LIFTS



Dimensions

All dimensions are approximate.



Reach Diagrams

