

860SJ HC3

TELESCOPIC HI-CAPACITY BOOM LIFT



Performance

Platform Height	26.21 m
Horizontal Outreach	22.86 m
Swing	360 Degrees Continuous
Platform Capacity	
Restricted	340/454 kg
Unrestricted	227 kg
Platform Rotator	180 Degrees Hydraulic
Jib Range of Articulation	130 Degrees (+70, -60)
Weight	16,732 kg
Drive Speed 4WD	5.6 kph
Gradeability 4WD	45%
Tilt Cut Out	4 Degrees
Turning Radius	
Inside	3.80 m
Outside	6.02 m

Power Source

Engine	Deutz D2011LO4 Tier 4i (49 hp 36.4 kw)
Fuel Tank Capacity	117 L

Hydraulic System

Capacity	181 L
Auxiliary Power	12V DC

Tyres

Non-Marking	18 x 625 Foam Filled
-------------	----------------------



HC3

**3 Capacity Zones -
227 kg for 2 occupants;
340/454 kg for 3 occupants
Plus tools/materials in all zones**

Standard Features

- Oscillating Axle
- 4WD
- Non-Marking Tyres
- Generator including AC Outlets to Platform and ELCB
- 180 Degree Hydraulic Platform Rotator
- 4 Degree Tilt Alarm/Indicator Light
- Swing-Out Engine Tray
- Flashing Amber Beacon
- 12V-DC Auxiliary Power
- Hourmeter
- Horn
- Control ADE® System
- Proportional Controls
- Gull-Wing Engine Hood
- Self-Closing Self-Locking Gate
- LED Light Panel at Platform and Ground Control Consoles
- Status Light Panel*
- Lifting/Tie Down Lugs
- Engine Distress Warning & Shutdown
- All Motion Alarm
- Glow Plugs (Diesel Engines)
- Load Sensing System
- SkyGuard SkyLine
- AS/NZS 1418.10 Compliance

Accessories & Options

- Platform: 36 x 72 in. (0.91 x 1.83 m)
- Fall Arrest Platform
- SkySense™
- Mesh to Mid Rail
- Fire Extinguisher
- White Noise (Squawker) Alarm
- Pipe Racks
- SkyGlazier

* Provides indicator lights at platform and ground control consoles to show system distress, 4 degree tilt light, and foot switch status.

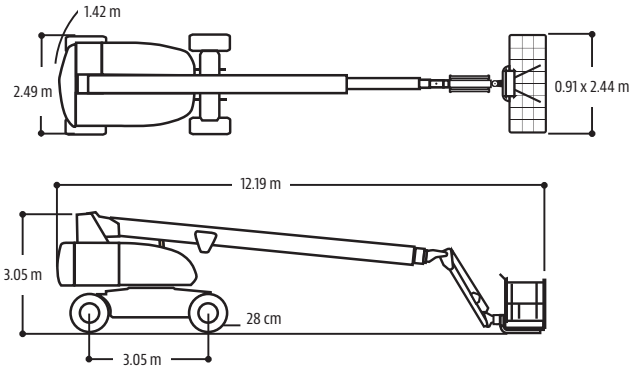
860SJ HC3

TELESCOPIC HI-CAPACITY BOOM LIFT



Dimensions

All dimensions are approximate.



Reach Dimensions

