

LED-6 SERIES II

LIGHTING TOWER



Performance

Height Stowed	2.50 m
Length Stowed	
Towbar in Transport Position	2.38 m
Towbar in Towing Position	3.13 m
Stowed Width	1.75 m
Weight GVM	1550 kg
Length with Outriggers Extended	3.75 m
Width with Outriggers Extended	3.15 m
Mast Max. Elevation	8.12 m
Wind Speed Rating	100 km/hr

Standard Specifications

Power

Engine	Kubota Z482-E4B
Engine Emission Level	Tier 4 Final
Fuel Type	Diesel
Fuel Consumption (litre per hour)	0.98 L/hr
Running Time (hours)	375+ hours
Generator	Mecc Alte PM5G 48V DC
Lights	LED
Light Power	6 x 400 W
Luminous Output	297,000 lm
Control System	Electronic Control
Noise Level @ 7m radius	65 dB(A)
Fuel Tank Capacity	370 L

Travel

Wheels	16" x 6J
Tyres	205/80 x 16"
Towing Speed (maximum)	80 km/ hr

Mast System

Lift	Hydraulic
Mast Lift Time	90 seconds
Mast Lower Time	75 seconds
Telescope	Hydraulic
Lighthouse Tilt	115° Hydraulic
Rotate	350° Manual
Hydraulic System Pump	
Voltage	12V DC
Pressure	192.5 bar (2800psi)
Flow Rate	0.78 cm ³ /rev
Function Control	Electric over Hydraulic



Standard Features

- External Emergency Stop
- Bunding for all Fluids (110%)
- Auto Stop / Start
- Forklift Tyne Pockets
- Crane Lifting Points
- Extendable Drawbar with transport stabiliser
- Long Extension Wind Down Outriggers
- 350° Rotation of Light Head
- Torsion Independent IRS Axle
- Drum Brakes with Hydraulic Over-ride
- 12 / 24 V LED Trailer Traffic Lights
- 7 Pin Flat Trailer Plug
- Inside canopy work light
- Low fuel cut-out

Options

- Fire extinguisher 4.5kg
- Double pole battery isolator
- Starter motor isolator
- Anderson jump start receptacle
- Wheel chocks
- Beacon
- Reflective tape
- Pressure relief radiator cap
- Hydraulic outriggers
- Customised paint
- Alternative trailer plugs
- Exhaust heat wrap
- MDG-15 Spec

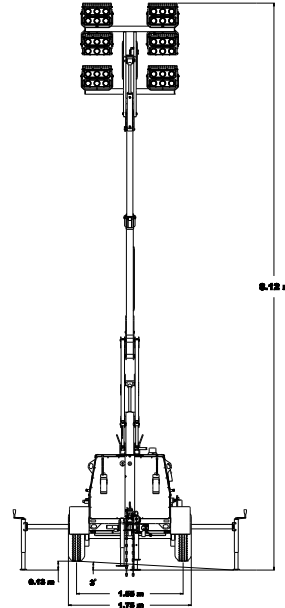
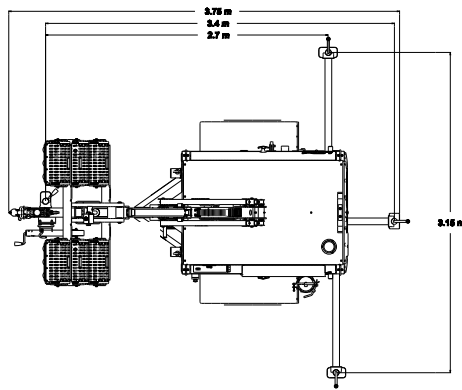
LED-6 SERIES II

LIGHTING TOWER



Dimensions

All dimensions are approximate.



Isolux Plot

