

# METRO-POD SERIES II

LIGHTING TOWER



## Performance

Height Stowed	2.41 m
Length Stowed	
Towbar in Transport Position	2.23 m
Towbar in Towing Position	2.90 m
Stowed Width	1.75 m
Weight GVM	1100 kg
Length with Outriggers Extended	2.34 m
Width with Outriggers Extended	2.15 m
Mast Max. Elevation	5.76 m
Wind Speed Rating	100 km/hr

## Standard Specifications

### Power

Engine	Kubota Z482
Emission Level	Tier 4 Final
Fuel Type	Diesel
Fuel Consumption (litre per hour)	0.9 L/hr
Running Time (hours)	130+ hours
Generator	48 V DC
Lights	LED
Light Power	3 x 600 W
Lighthouse Output	180,000 lumen
Control System	Electronic Control
Noise Level @ 7m radius	< 62 dB(A)
Fuel Tank Capacity	125 L

### Travel

Wheels Sunraysia Style	14"x6J
Tyres	185R14C
Towing Speed (maximum)	80 km/ hr

### Mast System

Lift	Hydraulic
Mast Lift Time	20 seconds
Mast Lower Time	12.5 seconds
Hydraulic System Pump	
Voltage	12V DC
Pressure	240 bar (3500psi)
Flow Rate	0.78 cm <sup>3</sup> /rev
Function Control	Electric over Hydraulic



## Standard Features

- 1000 hour engine oil service interval
- Electronic Module including Auto-Start and Advanced Engine Management
- External Emergency Stop
- Lockable Battery Isolator
- Moulded Hoods
- Bunding for all Fluids (120%)
- Forklift Tyne Pockets
- Crane Lifting Point
- Folding Drawbar
- Long Extension Wind Down Outriggers
- Torsion Independent Axle
- Cable Disc Over-ride Brakes
- Sunraysia Style Rims
- LED Trailer Traffic Lights
- 7 Pin Flat Trailer Plug

## Accessories & Options

- Battery Isolator LockSafe
- Starter Isolator Lockable
- Starter Isolator LockSafe
- Burst Protection On Hydraulic Hosing
- Jump Start Receptacle
- Wheel Chocks
- Steel Hoods
- 4.5 kg Fire Extinguisher
- Rotating Amber Beacon or Strobe Light

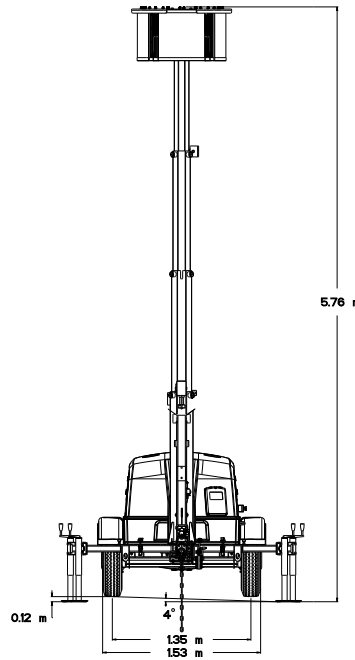
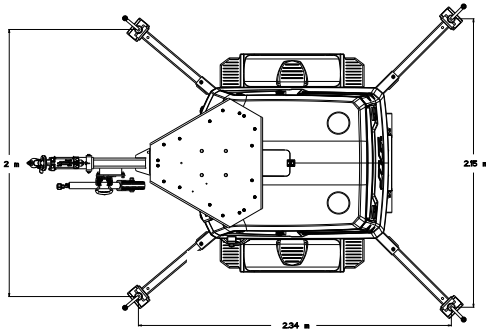
# METRO-POD SERIES II

LIGHTING TOWER



## Dimensions

All dimensions are approximate.



## Isolux Plot

